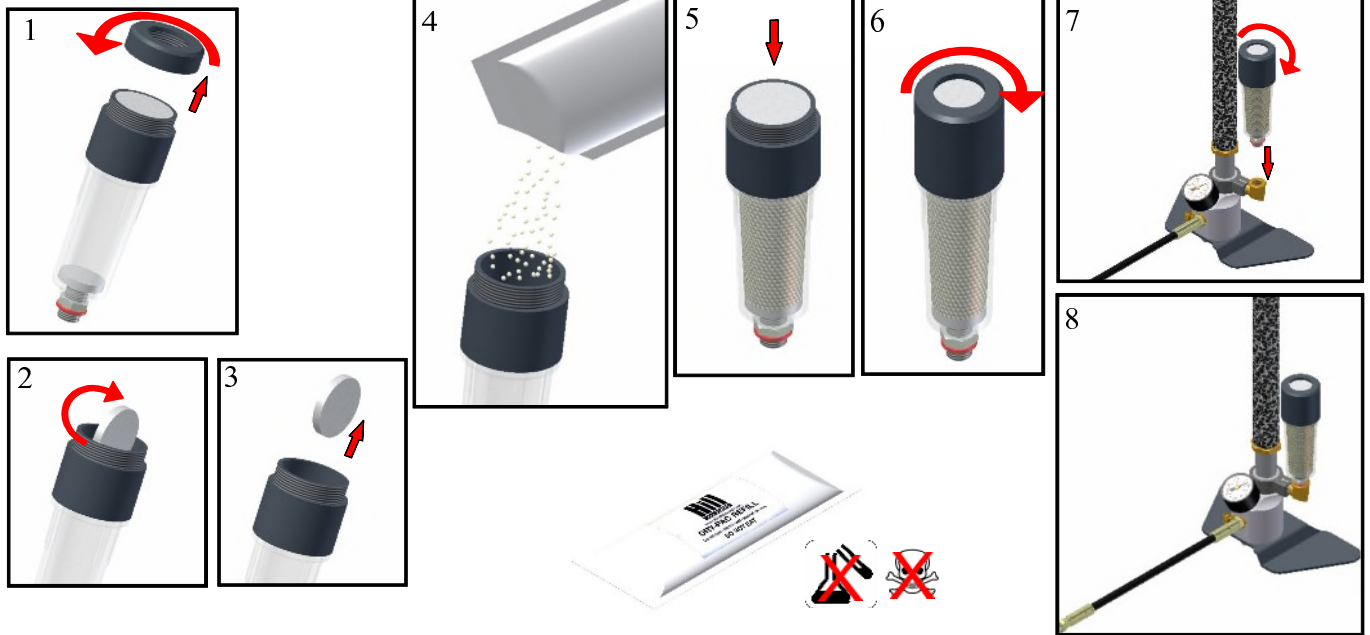


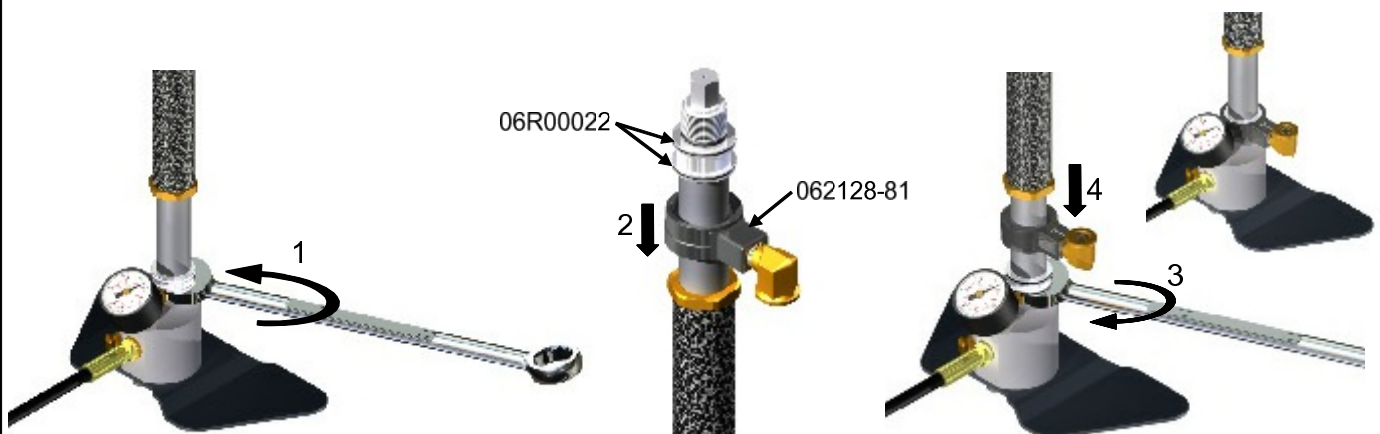
Z2128-680 DryPac Kit



Assembly Instruction for DryPac Unit



Assembly Instruction for DryPac Location Ring



ERNEST H. HILL LIMITED

10-12 MEADOWBROOK PARK - STATION ROAD - HALFWAY - SHEFFIELD S20 3PJ - ENGLAND

Telephone; +44 (0) 114 248 4882

Fax; +44 (0) 114 248 9142

web site; <http://www.airriflepump.com>

e-mail; sales@hillpumps.com

06R35076