

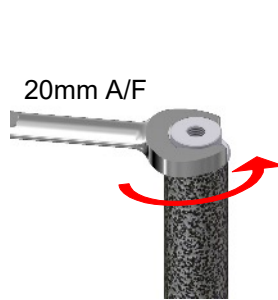
5128 Air Compressor Pump Seal Replacement Kit Z5128-201



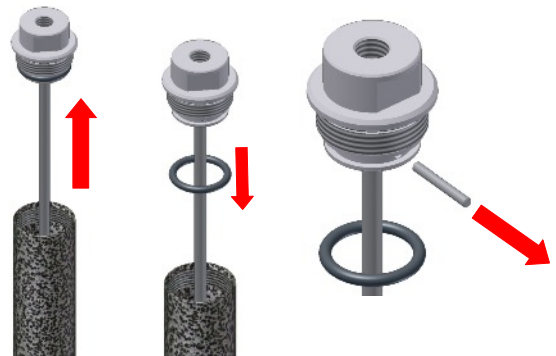
Kit comprises of 1 small green seal, 1 brass piston and retainer



1. Unscrew and remove handle



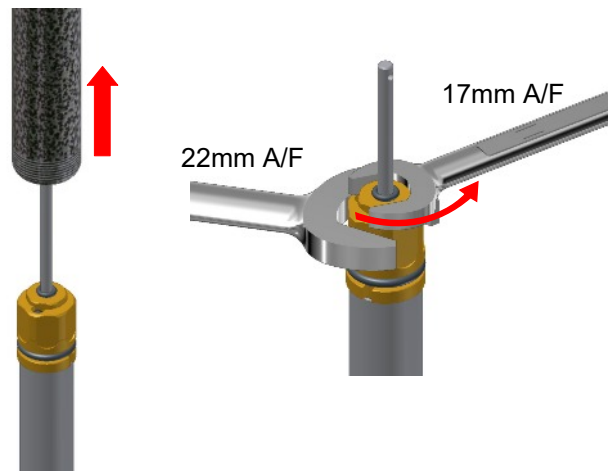
2. Unscrew handle connector



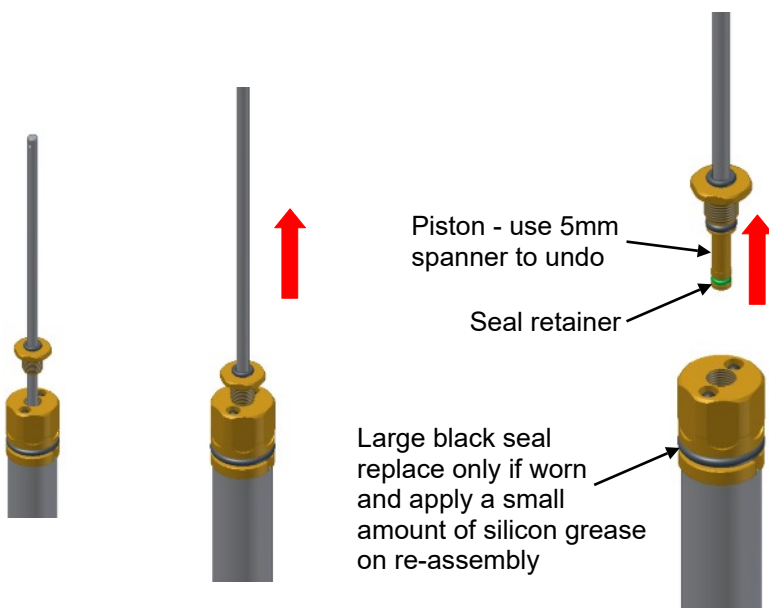
3. Lift handle connector to o'ring. Remove o'ring to expose pin. Use suitable tool to push pin from one side and then pull out. **Ensure o'ring is securely located in groove on re-assembly.**



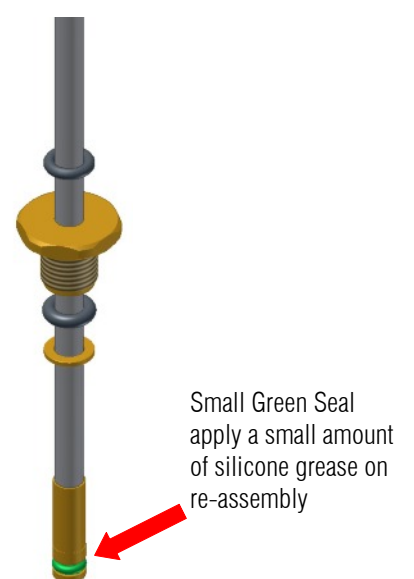
4. Unscrew outer body tube end cap and remove body tube



5. Unscrew the ball / seal retainer use a separate spanner to hold the large hexagon below it.

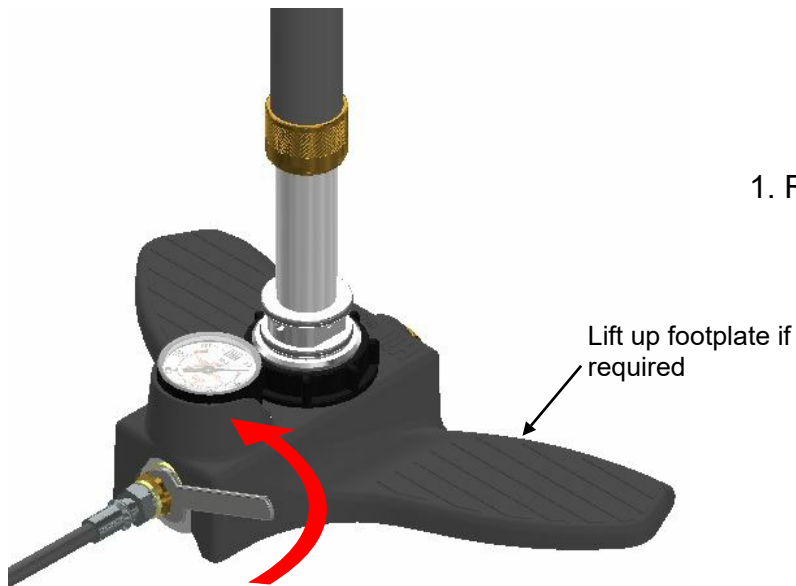


6. When free, pull the piston rod clear of the pump. Take care not to lose the two balls in the top of the pump

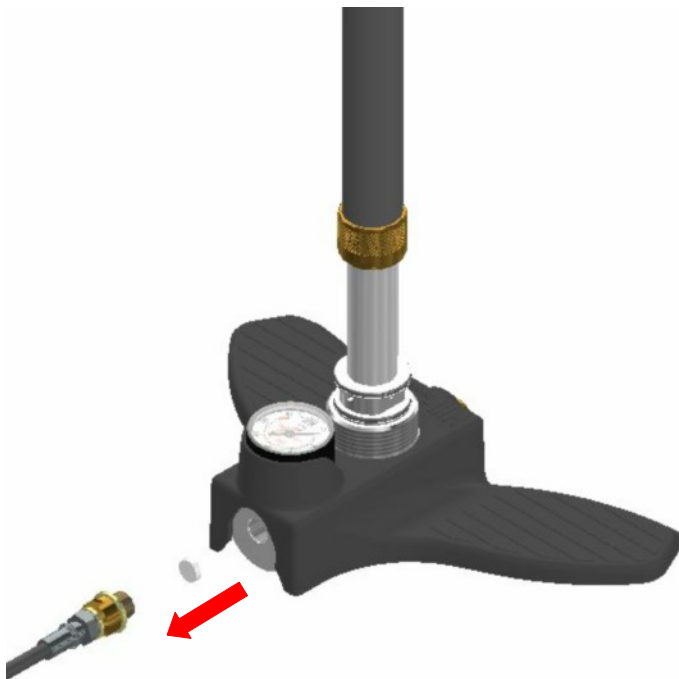


7. Carefully unscrew seal retainer to remove the old seal and replace if possible or replace whole piston if necessary
Re-assemble pump in reverse order

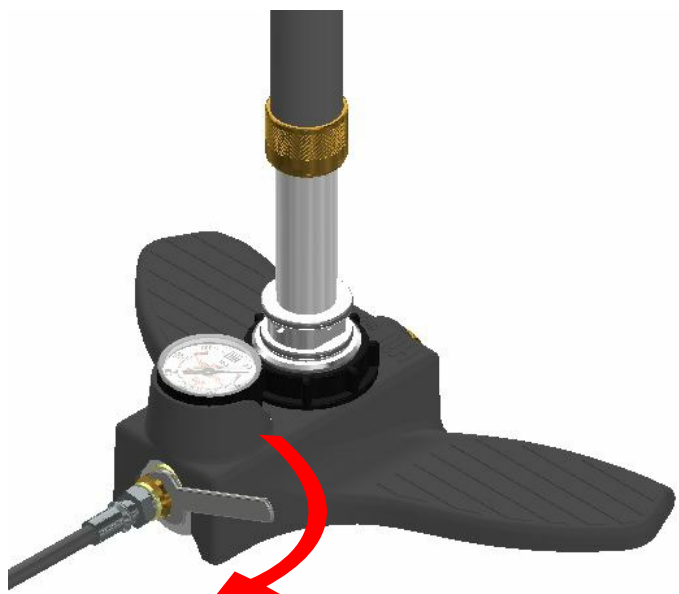
5128 Air Compressor Pump Seal Replacement Kit Z5128-201



1. Remove hose end adapter
with 15mm spanner



2. Remove filter using suitable tool

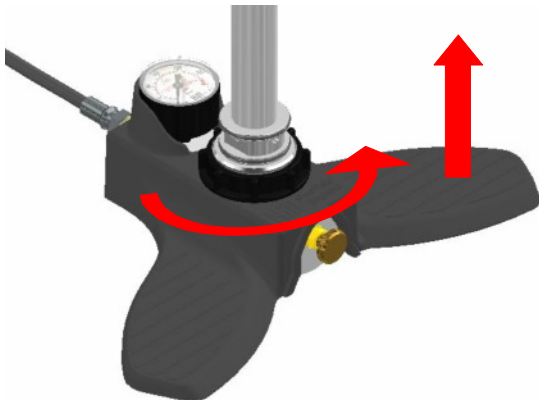


3. Replace filter and reassemble

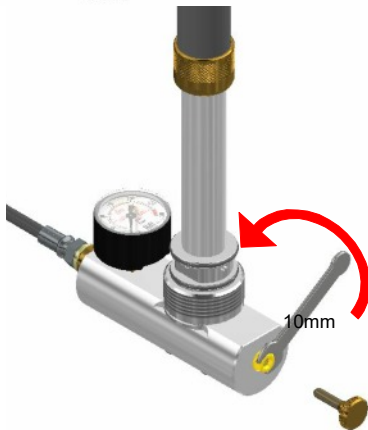
5128 Air Compressor Pump Seal Replacement Kit Z5128-201



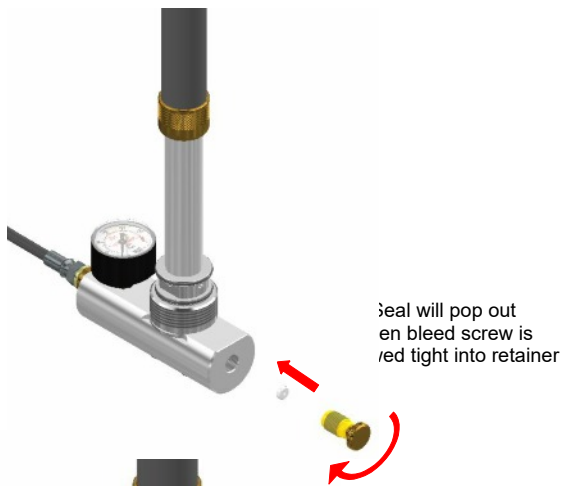
How to replace
bleed screw seal



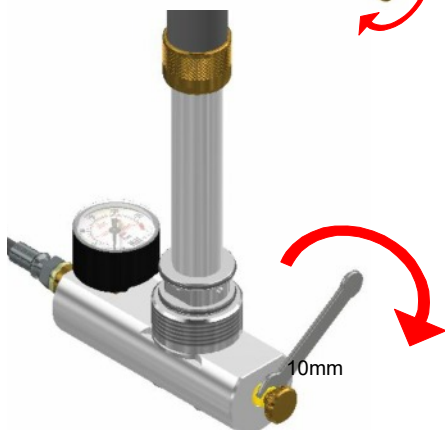
1. Unscrew and lift foot plate up



2. Remove seal retainer with
10mm socket or spanner



3. Screw bleed screw into seal
retainer to remove seal. Replace seal
if needed



4. Reinstall seal retainer **do not overtighten**