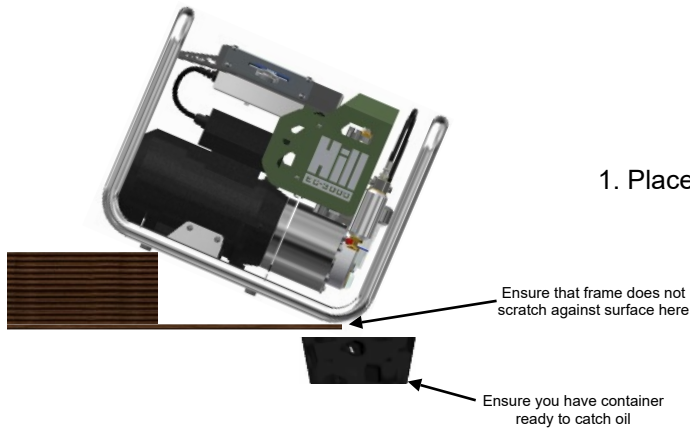


3000 Electric Air Compressor Oil Change

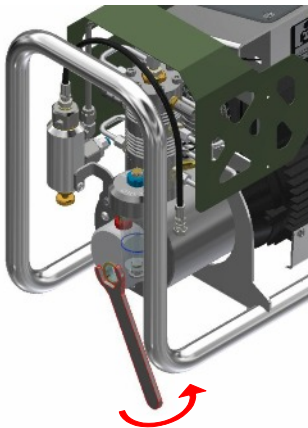
Replace oil after 50 hours of use



1. Place compressor on platform at an angle

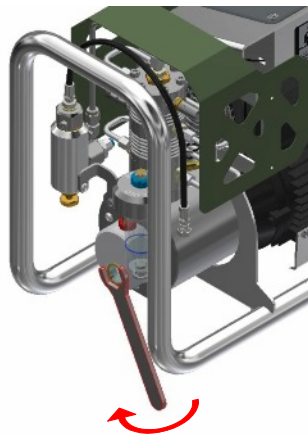
Ensure that frame does not scratch against surface here

Ensure you have container ready to catch oil

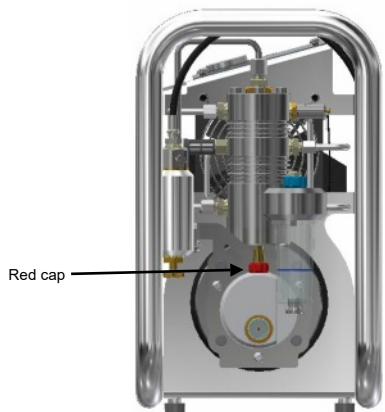


2. Undo crank oil cap with 27mm spanner and allow oil to flow out into container

Leave crank oil cap undone and for at least 15 minutes To allow the majority of the oil to flow out the compressor



3. Replace crank oil cap. **Ensure to not over tighten** as this could damage the seal



4. Place compressor on level surface Undo red cap and refill compressor with new oil.

5. Replace red cap and allow compressor to sit for 15 minutes before use.

ENSURE OIL IS DISPOSED IN SAFE AND CORRECT MANNER