



ERNEST H. HILL LTD • SHEFFIELD
www.airriflepump.com

EC-3000 PORTABLE AIR COMPRESSOR QUICK START GUIDE

Full instruction manual available at:
www.airriflepump.com



IMPORTANT

THIS PRODUCT IS DESIGNED TO **FILL** PRE-CHARGED PCP AIR GUNS AND PAINTBALL GUNS DIRECTLY. IT CAN ALSO BE USED TO TOP UP SMALL TANKS, BUDDY BOTTLES, AND CYLINDERS UP TO 7 LITRES. LARGE CYLINDERS AND TANKS ABOVE 4 LITRES SHOULD ONLY BE FILLED BY COMPETENT OR QUALIFIED PEOPLE

NOT FOLLOWING THE INSTRUCTIONS OR MISUSE OF THE COMPRESSOR WILL VOID YOUR WARRANTY AND MAY RESULT IN DEATH OR INJURY



DANGER OF EXPLOSION
FROM OVERFILLING OF
COMPRESSED AIR BOTTLES

DO NOT EXCEED MAXIMUM FILL PRESSURE OF YOUR CYLINDER AT ROOM TEMPERATURE ONLY FILL CYLINDERS THAT ARE IN GOOD CONDITION AND ARE IN DATE OF INSPECTION



IMPORTANT



READ ALL INSTRUCTIONS BEFORE USE TO PROTECT YOUR EYES. YOU SHOULD ALWAYS WEAR SAFETY GLASSES WHEN OPERATING THIS COMPRESSOR AND HEARING PROTECTION WHEN BLEEDING



WARNING

THIS COMPRESSOR PRODUCES CLEAN AIR SUITABLE FOR FILLING PCP AIRGUNS IT DOES NOT COMPRESS AIR SUITABLE OR CERTIFIED FOR BREATHING APPARATUS. DO NOT USE IT TO FILL SCUBA TANKS THAT MAY LATER BE USED FOR BREATHING



DANGER OF ELECTRIC SHOCK

DO NOT OPERATE IN THE RAIN OR WITH WET HANDS OR CLOTHES



DANGER

PARTS OF THIS COMPRESSOR GET VERY HOT



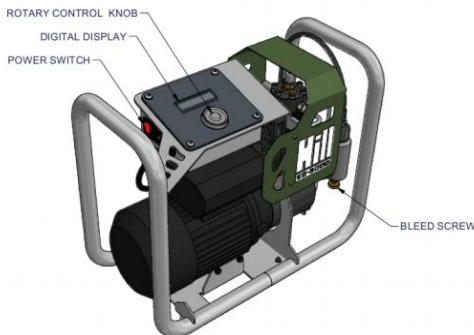
WARNING

DO NOT TOUCH MOVING PARTS FOR EXAMPLE THE COOLING FAN. KEEP FINGERS AND LOOSE CLOTHING AWAY FROM MOVING PARTS

OPERATING TEMPERATURE

+5°C to 75°C (41°F to 167°F)

THERMAL PROTECTION WILL NOT ALLOW COMPRESSOR TO START OUTSIDE THIS RANGE



SET UP - OIL

1. Fill crank with 50ml of crank oil (entire bottle) and allow 5 mins to settle.
2. Fill silicone oil up to the max limit indicated on the reservoir by the blue line.
3. Keep silicone oil always topped up to blue line
4. Change crank oil every 50 running hours or once yearly (whichever comes first).

DO NOT MIX OILS

OPERATING INSTRUCTIONS

For full operating manual and images go to:
www.airriflepump.com

1. Connect filling probe to bottle or gun
2. Ensure bleed screw is closed finger tight
3. Insert power cable into pump
4. Switch compressor on
5. Press rotary control knob to confirm lubricant levels are checked and are correct
6. To set the pressure press control knob to set required pressure. Rotate clockwise to increase fill pressure. When you reach the desired pressure press control knob to confirm.

DO NOT SET THE COMPRESSOR ABOVE THE MANUFACTURERS RECOMMEND PRESSURE FOR THE BOTTLE YOU ARE FILLING

7. Rotate control knob to reach the start display screen. Press the control knob and the compressor will start. You can pause filling at any time by pressing the control knob.
8. The compressor may automatically pause and restart. This is the normal cooling cycle.
9. When the target pressure is reached the compressor will stop.
10. Depressurise by unscrewing bleed screw. This will expel any trapped moisture or silicone.
11. Store the compressor upright with the bleed screw undone not connected to any bottle

DO NOT LEAVE THE COMPRESSOR UNATTENDED WHEN IN USE

